



## C-band 1W BUC [ Block Upconverter ]

**MODEL NO. NJT5665 / 65F**

## XC-band 1W BUC [ Block Upconverter ]

**MODEL NO. NJT5666 / 66F**

### <Description>

This unit is the fixed gain transmitter incorporating a low phase noise Phase Locked Local Oscillator and a high reliable High Power Amplifier, and converts L Band (950 to 1,525 MHz or 960 to 1,265 MHz) IF Input to C Band (5.850 to 6.425 GHz) and XC Band (6.725 to 7.025 GHz) RF Output.

This outdoor RF unit transmitter can be used for DAMA, Two-way data and Rural Telephony systems.



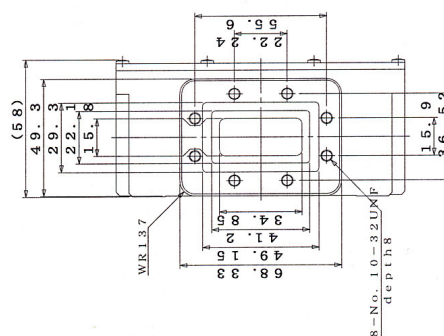
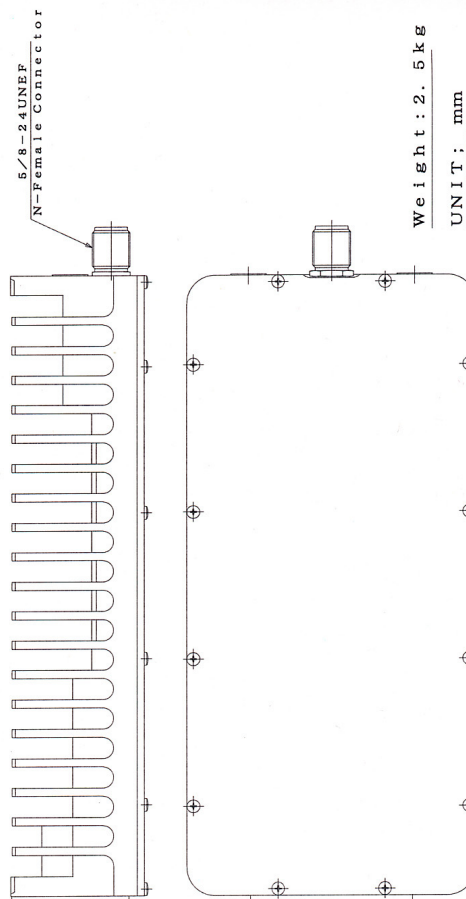
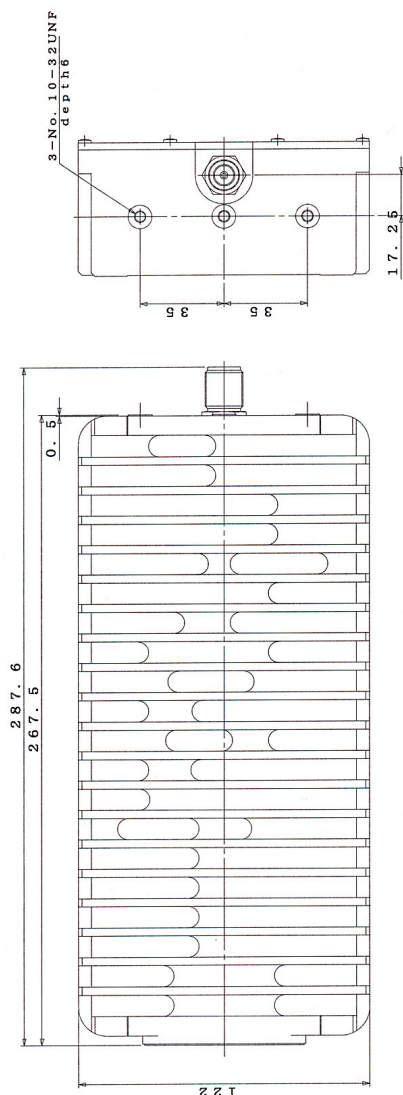
### <Line-Up>

Model No.	RF Frequency	Local Frequency	IF Frequency	Output Power	Connector
NJT5665	5.850 to 6.425 GHz	4.90 GHz	950 to 1,525 MHz	1W Linear (+30 dBm min.)	N-Type
NJT5665F					F-Type
NJT5666	6.725 to 7.025 GHz	5.76 GHz	965 to 1,265 MHz		N-Type
NJT5666F					F-Type

### <Specifications>

Item	Specifications
Output Interface	CPR 137-G (Grooved) with Flange
Output Power @ P1 dB	+30 dBm minimum over temperature
Conversion Gain	56 dB nom.
Phase Noise (SSB)	-60 dBc/Hz max. @ 100 Hz -70 dBc/Hz max. @ 1 kHz -80 dBc/Hz max. @ 10 kHz -90 dBc/Hz max. @ 100 kHz
Input Interface	N-type, female (50 ohm) [Model No. NJT5665 / NJT5666] F-type, female (75 ohm) [Model No. NJT5665F / NJT5666F]
Required External Reference Signal	Frequency: 10 MHz Input Power: -5 to +5 dBm Phase Noise: -135 dBc/Hz @ 100 Hz -140 dBc/Hz @ 1 kHz -143 dBc/Hz @ 10 kHz -143 dBc/Hz @ 100 kHz
Mute	Shut off the HPA in case of LO unlocked
Input / Output V.S.W.R.	2.0:1 max. @ Input 2.0:1 max. @ Output
Power Requirement	+15 to +24 V dc
Power Consumption	30 W max.
Operating Temperature	-40 to +55 degrees C
Storage Temperature	-40 to +75 degrees C
Size & Weight	267.5 mm (L) x 122 mm (W) x 58 mm (H), 2.5 kg max.

<Outline Drawing>



**New Japan Radio Co., Ltd.**

Microwave Components Division  
 1-1, Fukuoka 2-Chome, Kamifukuoka-City  
 SAITAMA, 356-8510 JAPAN  
 E-mail : [mcsales@njr.co.jp](mailto:mcsales@njr.co.jp)  
 Phone : +81-49-278-1270  
 FAX : +81-49-278-1234  
<http://www.njr.co.jp>

\* Regarding F-type Female Connector Input, the outline drawing is the same as this, except dimension of connector.