

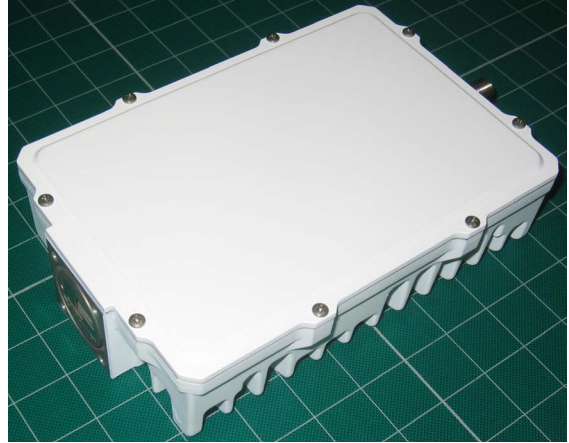
New Product

Ku-band 3W Block Upconverter

MODEL NO. NJT5037 / 37F

< Features >

- * Small Size & Light Weight
- * High Efficiency Output Power
(3 W typical @P1dB over temperature)
- * Low Power Consumption



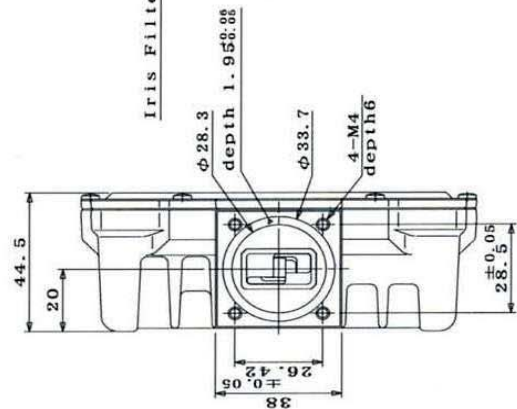
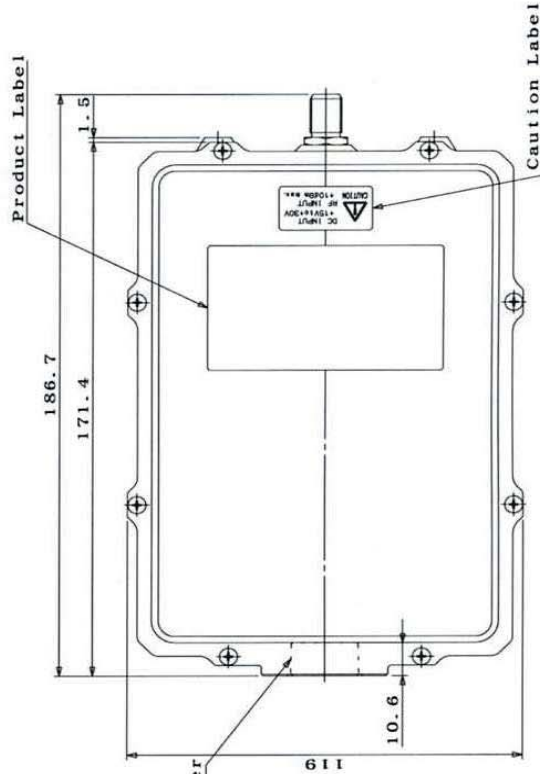
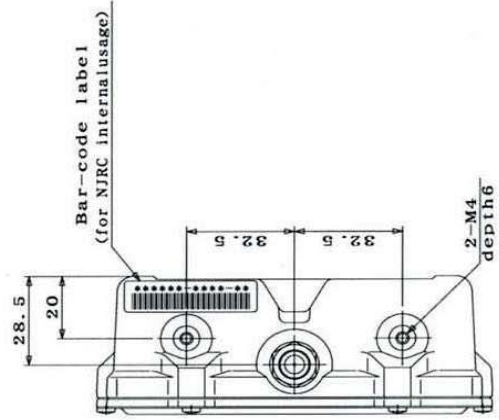
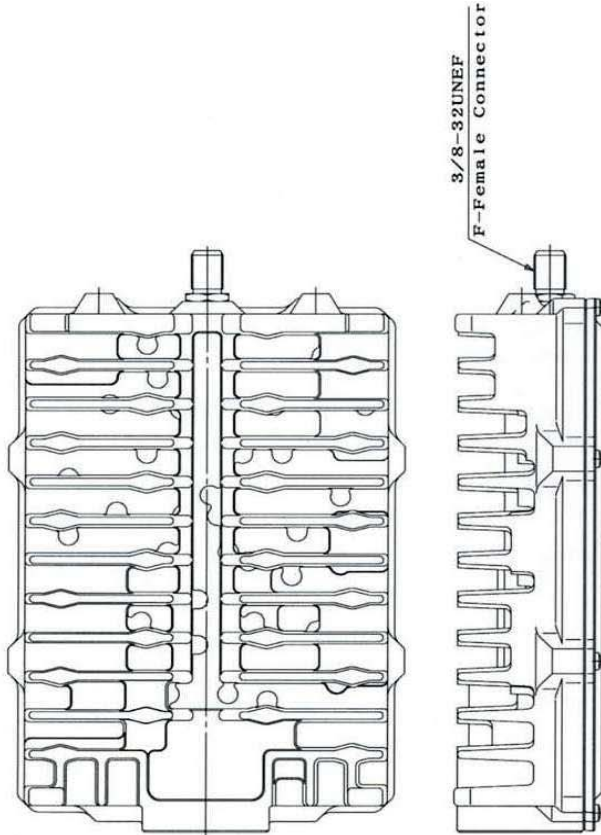
<Line-Up>

Model No.	RF Frequency	Local Frequency	IF Frequency	Output Power	Connector
NJT5037	14.0 to 14.5 GHz	13.05 GHz	950 to 1,450 MHz	3W	N-Type
NJT5037F				Linear	F-Type

<Specifications>

Item	Specifications
Output Interface	Waveguide, WR-75
Output Power @ P1 dB	+35 dBm typical, +33 dBm minimum over temperature
Conversion Gain	50 dB nom.
Phase Noise (SSB)	-60 dBc/Hz max. @ 100 Hz -70 dBc/Hz max. @ 1 kHz -80 dBc/Hz max. @ 10 kHz -90 dBc/Hz max. @ 100 kHz
Required External Reference Signal	Frequency : 10 MHz Input Power : -5 to +5 dBm Phase Noise : -125 dBc/Hz max. @ 100 Hz -135 dBc/Hz max. @ 1 kHz -140 dBc/Hz max. @ 10 kHz
Input Interface	N-type, female (50 ohm) [Model No. NJT5037] F-type, female (75 ohm) [Model No. NJT5037F]
Input / Output V.S.W.R.	2.0:1 max. @ Input 2.0:1 max. @ Output
Mute	Shut off the HPA in case of LO unlocked
Power Requirement	+15 to +30 V dc
Power Consumption	30 W max.
Operating Temperature	-40 to +55 degrees C
Storage Temperature	-40 to +75 degrees C
Size & Weight	[Model No. NJT5037F] 186.7 mm (L) x 119 mm (W) x 44.5 mm (H) [7.35" (L) x 4.69" (W) x 1.75" (H)] 1.2 kg max. [2.6 lbs]

<Outline Drawing>



Unit: mm

JRC *New Japan Radio Co., Ltd.*

Microwave Components Division
 1-1, Fukuoka 2-Chome, Kamifukuoka-City
 SAITAMA, 356-8510 JAPAN
 E-mail : mcsales@njr.co.jp
 Phone : +81-49-278-1270
 FAX : +81-49-278-1234
 http://www.njr.co.jp