



Ku band Single LNB
Model No. NJR2183F
Specifications

Rev.04M January 7, 2003

Copyright 2003

New Japan Radio Co., Ltd.

Microwave Components Division

-Notice of Proprietary Information-

This documents and its contents are proprietary to New Japan Radio Co., Ltd.
This publication and its contents may not be reproduced or distributed for any
other purpose without the written permission of New Japan Radio Co., Ltd.



1. Scope

This specification details the requirements for the low noise amplifier and block downconverter intended for Direct Broadcasting Satellite-to-Home downlink application in 12.25 to 12.75 GHz, Ku-Band. All specifications shall apply throughout the full range of the specified environmental conditions unless otherwise specified.

2. Electrical Specifications

#	Item	Specification
2-1.	Input Frequency Band	11.20 to 11.70 GHz
2-2.	Input Waveguide Flange	WR 75
2-3.	Input V.S.W.R.	2.5 : 1 typ.
2-4.	Noise figure (Ta: +25 C)	1.0 dB max.
2-5.	Output Frequency Band	950 to 1,450 MHz
2-6.	Conversion Gain (Ta: +25 C)	50 dB min. 55 dB typ.
2-7.	Conversion Gain Variation (Ta: +25 C)	4.0 dB max. at 500 MHz BW 2.0 dB max. at each 50 MHz segment
2-8.	Output Power for 1 dB Gain Compression	0 dBm min.
2-9.	Intermodulation Products (3rd order intermodulation rejection with two -6 dBm output carriers separated by 5 MHz.)	31 dBc min.
2-10.	Local Oscillator Leakage Levels	-25 dBm max. at Ftype signal output connector. -50 dBm max. at the waveguide flange.
2-11.	Local Oscillator Frequency Temperature Stability (-40 to +60 C)	10.250 GHz +/- 1.5 MHz max.
2-12.	Image Rejection Ratio	40 dB min.
2-13.	Output V.S.W.R. (75 ohm)	2.0:1 typ.
2-14.	Power Requirement	+15 to +24 V dc
2-15.	Current Drain	170 mA max.

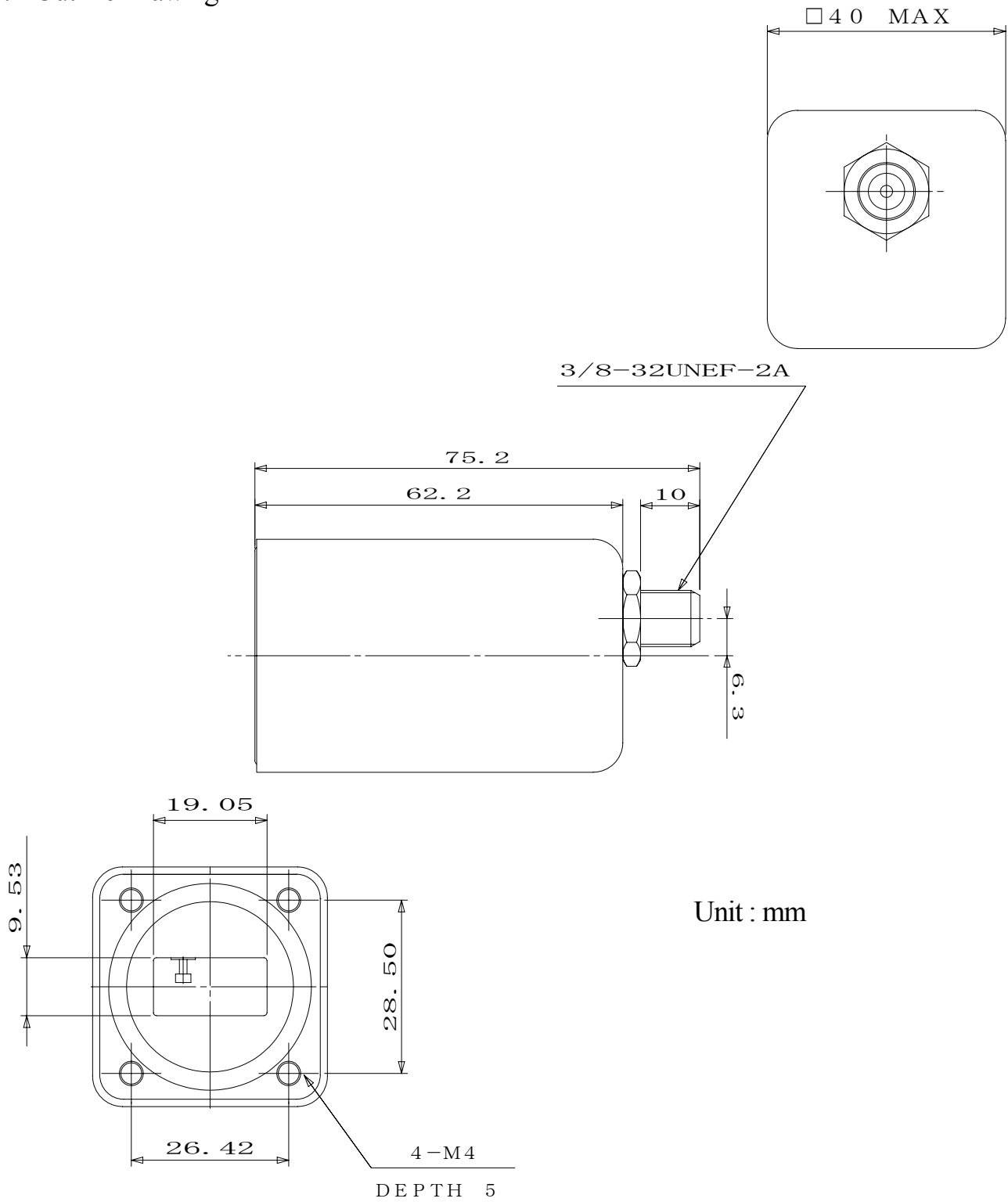
3. Environmental Specifications

#	Item	Specification
3-1.	Operating Temperature Range	-40 to +60 C
3-2.	Storage Temperature Range	-40 to +80 C
3-3.	Humidity	100 %Rh (max)
3-4.	Vibration	G=5 (f=50±2 Hz, t=5(min), Direction ; X,Y,Z)
3-5.	Shock	G=15 (Direction ; X,Y,Z)

4. Absolute Maximum Rating

#	Item	Specification
4-1.	RF Input Power	-10 dBm (@ CW) +10 dBm (@ Pulse)
4-2.	Supply Voltage	+28 Vdc

5. Outline Drawing



Unit : mm