

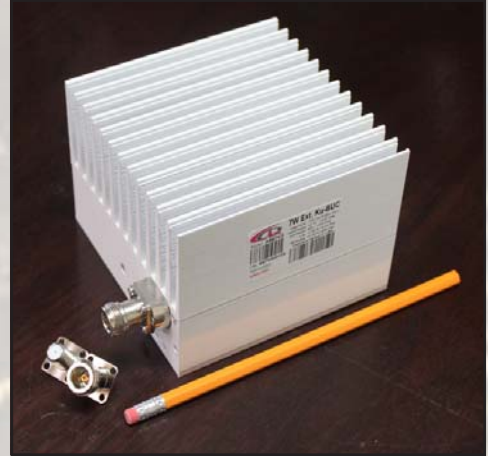


7W Ext. Ku-Band Block Up Converter

KEY FEATURES

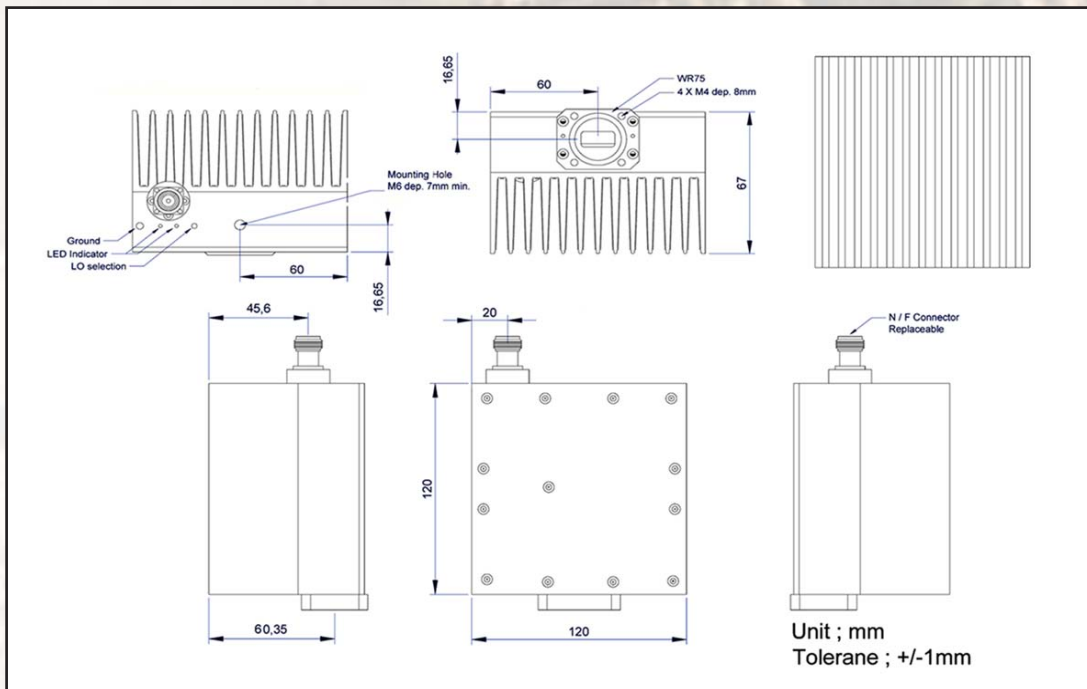
- ◆ Output frequency 13.75-14.50 GHz
- ◆ Double - L.O. (switchable 12.80 and 13.05 GHz)
- ◆ Auto-ranging 18-28 VDC
- ◆ Incomparable low power consumption (42W max)
- ◆ Digital temperature compensation
- ◆ L.O. lock and amplifier LEDs
- ◆ Field-exchangeable (F/N) IF connector
- ◆ Internal 10MHz high stability 10^{-8} reference (optional)
- ◆ Three-year warranty
- ◆ RoHS compliant

ABA7KX / ABA7KXF



This unique smallest and lightest 7W L-To Ku-Band Block Up Converter is designed to be mounted directly to the feedhorn. The unit is ideal for portable and mobile applications. Double - L.O. feature makes unit universal for Ku-Band requirements. Unit is powered with 24 VDC and consumes less than 42W.

Mechanical Drawing





7W Ext. Ku-Band Block Up Converter

TECHNICAL SPECIFICATIONS		
RF frequency	L.O. 13.05 GHz L.O. 12.80 GHz	14.00 to 14.50 GHz 13.75 to 14.50 GHz
Local oscillator- switchable		13.05 GHz and 12.80 GHz
IF frequency		950 to 1,700 MHz
Output power @ P1dB min over temp.		7W (+38.6 dBm min)
IF connector		N-type or F-type (field-exchangeable)
Power supply - auto-ranging		+18~+28 VDC via IF cable, 42 W max
Internal 10MHz high stability reference		10 ⁻⁸
Output interface		WR-75 G
Gain		60 dB nominal
IMD3		-30 dBc max
L.O. leakage		-33 dBm max
Spurious		-55 dBc max
Gain variation	over 40 MHz over 500 MHz	1.1 dB p_p 1.4 dB p_p
Over operating temperature		1.2 dB p_p @ fixed frequency
Requirement for external reference		via IF cable
	frequency	10 MHz (sine-wave)
	input power	-5 to +5 dBm @ input port
Phase noise		-55 dBc/Hz max. @ 10 Hz -65 dBc/Hz max. @ 100 Hz -75 dBc/Hz max. @ 1 KHz -85 dBc/Hz max. @ 10 KHz -95 dBc/Hz max. @ 100 KHz -120 dBc/Hz max @ 1 MHz
Noise figure		20 dB max
Input V.S.W.R.		2 : 1 max
Output V.S.W.R.		2 : 1 max.
Mute		Shut off the BUC in case of L.O. unlocked
Input interface	ABA7KX ABA7KXF	50 Ohm (N-type IF in) 75 Ohm (F-type IF in)
Status LED	RED GREEN YELLOW YELLOW blinking	Summary alarm All OK Standard L.O. 13.05 GHz Extended L.O. 12.80 GHz
Temperature range (ambient)	operating storage	-40 deg C to +55 deg C -40 deg C to +75 deg C
Dimensions & housing		120 (L) x 120 (W) x 67 (H) mm 4.72" (L) x 4.72" (W) x 2.63" (H)
Weight		1.5 kg (3.3 lbs) max